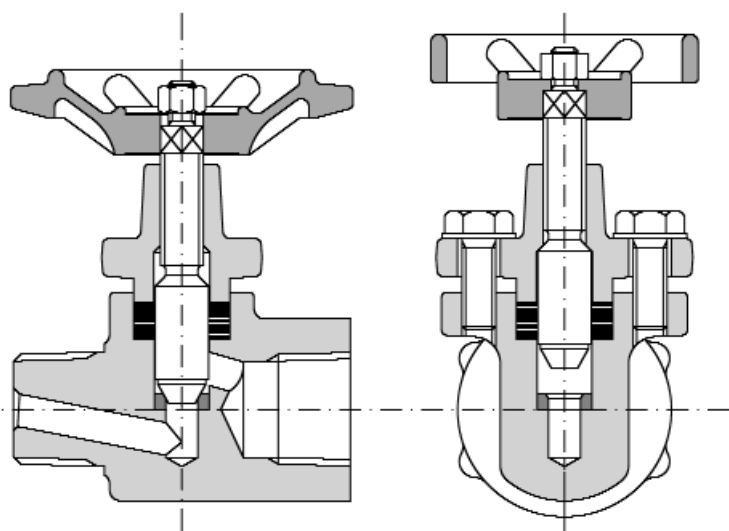


BONETTI®



BONT®

**Forged Steel
Instrumentation
Valves**

- type VS3 - 3000 psi
- type VS6 - 6000 psi

A wide international sales network

Please apply for more information about our International Technical Sales Organisation



CESARE BONETTI S.p.A.

I-20024 GARBAGNATE MILANESE (Italy)
Via Cesare Bonetti 17
Telefono: +3902 990721
Telefax: +3902 9952483
Internet web site: <http://www.cesare-bonetti.it>
E-mail: bont.post@bont.it

Vendite Italia: Telefono: +39 02 99 072 333
Telefax: +39 02 99 072 300
E-mail: italia@bont.it
Export sales: Telefono: +39 02 99 072 444
Telefax: +39 02 99 072 400
E-mail: export@bont.it

Bonetti Armaturen Vertriebs GmbH
D-65549 Limburg an der Lahn (Germany)
In den Fritzenstücker, 4

Sales Office Telephone: +49 06431 598310
Telefax: +49 06431 598329
E-mail: bonetti-germany@t-online.de

Bonetti Australia Pty Ltd
715 Esplanade (P.O. Box 2041)
MORNINGTON - Victoria - 3931 - Australia

Sales Office Phone & Fax: +61 3 5977 1966
Mobile: +61 0412 318880
E-mail: dtsbont@hotmail.net.au

BONETTI (Suzhou) Level Gauges & Valves Co., Ltd.
Yuandong Gongyefang, Minsheng Road,
Shengpu District, Suzhou Industrial Park,
Jiangsu, China 215021

Sales Office Phone +86-512-6281 6390
Fax: +86-512-6281 6396
E-mail: bonettisuzhou@yahoo.com

This catalogue is exclusive property of Cesare Bonetti S.p.A.
Any unauthorised reproduction, in total or in part, of this catalogue shall be prosecuted. Products and data sheets of this catalogue are referred to current standard production

Cesare Bonetti S.p.A. reserves the right to carry out any necessary alteration to products and materials.
Amendments or modifications to drawing and material can be done also to comply particular Customer's requests or technical specifications.

BONT® Valves type VS

APPLICATION RANGE

The BONT® Valves type VS are needle valves recommended for instrumentation and for any throttling and shut-off service.

DESIGN PRINCIPLES

BONT® Valve type VS is a metal to metal seat needle valve having 6 mm seat diameter.

- Forged body and bonnet
- Bolted bonnet connection
- Outside screw, therefore threads not in contact with the fluid avoiding corrosion and assuring smooth operation
- Blowout-proof and backseating stem
- Non-rotating disk, made of ASTM A479 316 nitrided assure perfect sealing and resistance to erosion
- Packing patented, preformed from graphite and stainless steel sheets guarantees perfect seal towards the atmosphere and does not require any maintenance
- Adjustable packing
- Low torque due to special packing and non-rotating disk
- Ideal for areas where danger of fire exists.

RATING

BONT® Valves type VS are manufactured in two types:

- type VS3 - 3000 psi at 100 °F (210 bar at 38 °C)
- type VS6 - 6000 psi at 100 °F (420 bar at 38 °C).

Maximum working temperatures depend on the body and bonnet material:

- Body and bonnet of ASTM A105:
Material Schedule 52: Max Temp. 425 °C
- Body and bonnet of ASTM of S.S. ASTM A182 F316:
Material Schedule 63: Max Temp. 550 °C.

BONT®, Valves type VS are in accordance with Standard Practice MSS SP-99 - Instrument Valves.

CONNECTIONS

Standard connections are:

- threaded as per ASME B1.20.1
- socket weld as per ASME B16.11

The connection sizes are listed in the following table:

Type	Input	Output	Dimension (mm)			Fig.
			A	G	H	
VS3	1/2" M	1/2" F	63	64	71	550
	1/2"	1/2"	70	64	71	551
	3/4"	3/4"	70	64	71	551
VS6	1/2"	1/211	70	64	71	551
	3/4"	3/4"	70	64	71	551

Valve VS3 of Fig. 550 can be supplied only with the ends threaded male-female.

Other connection available on request.

MATERIAL SCHEDULES

VS Valves are manufactured in different Material Schedules. The main characteristic elements of the more diffused Material Schedules are:

Material Schedule	Material of Body and Bonnet
52	Carbon Steel ASTM A105
63	Stainies Steel ASTM A182 F316

Fig. 550

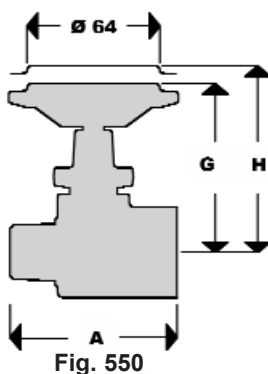
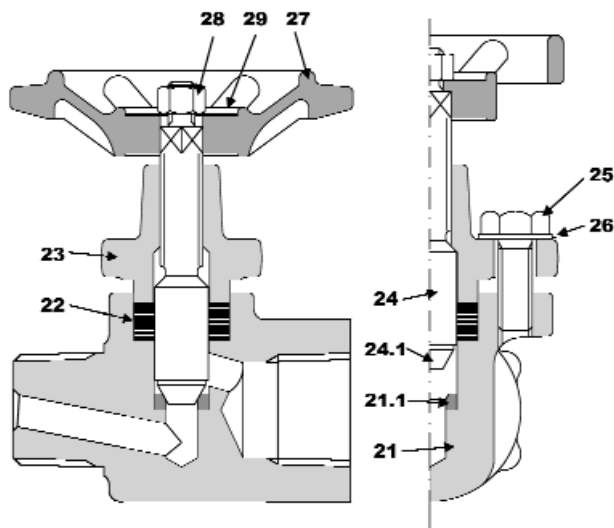


Fig. 550

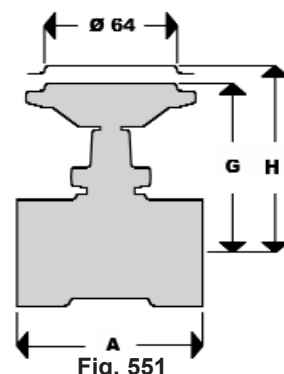


Fig. 551

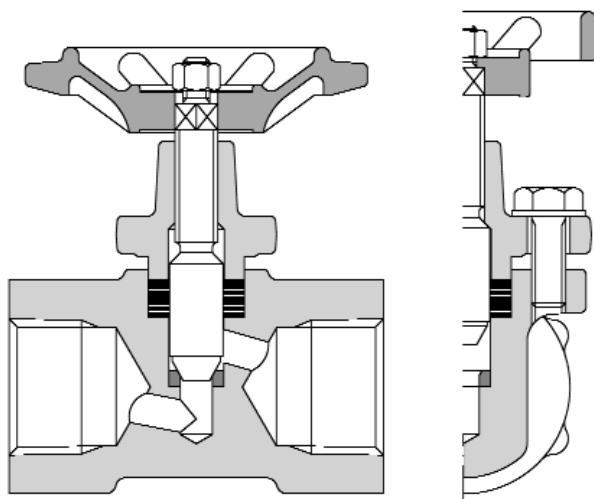


Fig. 551

Item Part	Part Material for Material Schedule	
	52	63
21 Body	ASTM A105	ASTM A182 F316
21.1 Seat	ASTM A479 316	integral
22 Packing	Graphite + S.S.	Graphite + S.S.
23 Bonnet	ASTM A105	ASTM A182 F316
24 Stem	ASTM A182 F6a	ASTM A479 316 Nitr.
24.1 Disk	ASTM A479 316 Nitr.	ASTM A479 316 Nitr.
25 Screw	ASTM A193 B7	ASTM A193 B8
26 Washer	Carbon Steel	Carbon Steel
27 Handwheel	Aluminium	Aluminium
28 Handwheel Nut	Carbon Steel	Carbon Steel
29 Name Plate	Stainless Steel	Stainless Steel